

2015
Product Information Guide



SCARAB[®]

TABLE OF CONTENTS

ROTAX INTRODUCTION	2-3
SCARAB 165 165 165 HO 165 HO IMPULSE	4-9
SCARAB 195 195 195 HO 195 HO IMPULSE	10-15
SCARAB 215 215 215 HO 215 HO IMPULSE	16-21
SCARAB 255 255 255 HO 255 HO IMPULSE	22-27
TRAILERS	28-33
WARRANTY	34-44



***ALL BOATS ARE REFERRED TO AS "SHE."
THIS ONE HAPPENS TO BE THE HOTTER,
MORE PROMISCUOUS TYPE.***

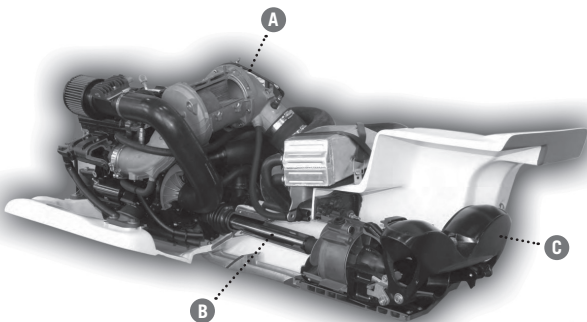
ROTAX® THE MOST PROVEN TECHNOLOGY IN JET PROPULSION.

THE LEGENDARY ROTAX 4-TEC ENGINE:

- OVER 450,000 CURRENTLY IN OPERATION
 - STILL THE POWER INSIDE MOST SEA-DOO® PWC MODELS
 - THREE POWER LEVELS FROM ONE PROVEN BLOCK
-

INNOVATIVE FEATURES

- A** **CLOSED-LOOP ENGINE COOLING** Protects the engine from harmful salt, gunk and corrosion by cooling it with clean coolant like a car. Like your car, every Scarab has a thermostat to ensure optimal engine temperature for engine reliability.
- B** **DRIVE SHAFT SLEEVE** Helps prevent the problem of wrapping debris, such as tow ropes and weeds, around drive shaft. Other systems can only try to fix the problem after it occurs.
- C** **LATERAL THRUST CONTROL GATE** Makes Rotax the only jet propulsion that allows true low speed maneuverability and makes docking a breeze.



EXCEPTIONAL PERFORMANCE AND FUEL EFFICIENT.

ADVANTAGES OVER THE COMPETITION

	ROTAX	COMPETITION*
SPEED CONTROL	Cruise Control Ski Mode ECO™ Mode Docking Mode	Cruise Control
RELIABILITY	Closed Loop Engine Cooling Thermostat	Open Loop Engine Cooling No Thermostat
YEARS OF PRODUCTION	13	6
JET PUMP	Lateral Thrust Control System I Driveshaft Sleeve	Small Plastic Reverse Gate Clean-Out Port
LOW-SPEED MANEUVERABILITY	Docking Mode Lateral Thrust Control System Single Lever Control	
STANDARD WARRANTY	3 Year/480 Hour	1 Year

BEST IN CLASS WARRANTY

3 YEARS / **480** HOURS

ROTAX



*Competition features based on published information on manufacturer's website as of January 2014.



SCARAB 165

165, 165 HO, 165 HO IMPULSE

SPECIFICATIONS	US	METRIC
LOA	15'9"	4.80 m
Beam	7'1"	2.16 m
Fuel Capacity	20 gal	76 l
Draft	12"	30 cm
Maximum Capacity	850 lbs	385 kg
Persons Capacity	5	5 CE
Approx. Dry Weight	1,600 lbs	725 kg
Trailer Weight	617 lbs	280 kg
Deadrise	21°	21°
Storage Length on trailer	18'4"	5.59 m
Bridge Clearance	3'0"	96 cm
Bridge Clearance with arch/tower	6'6"	1.98 m
Total Height	4'0"	1.22 m
Total Height on Trailer	5'3"	1.60 m
Height on Trailer w/Wakeboard tower Dn	6'9"	2.06 m
Height on Trailer w/Wakeboard tower Up	8'9"	2.67 m
Impeller	SST	SST

RECOMMENDED ENGINE(S)/EQUIPMENT AVG. WEIGHTS

Model Eng.	Type Boat	Eng.	Fuel	Access.	Trail Wt.
ROTAX 250HP	1,260	410	120	60	560
ROTAX 187KV	571	186	54	27	250

PERFORMANCE

Model Eng.	Impeller Dia		Type	Top Speed		Cruise Range	
	IN	MM		MPH	KPH	MI	KM
ROTAX 150/111 1.5L Injected	6.10	155	SST	38-41	61-66	100	160
ROTAX 250/187 1.5L Supercharged HO	6.34	161	SST	52-55	84-89	85	130

FUEL FLOW

FUEL FLOW DATA - ROTAX 1.5 L Injected 150/111

RPM	MPH	KPH	GPH	LPH
2500rpm	5	8	1	4
5000rpm	8	13	3	11
5500rpm	11	18	3	11
6000rpm	26	42	4	15
6500rpm	31	50	6	23
7000rpm	36	58	7	26
WOT	39	63	8	30

FUEL FLOW DATA - ROTAX 1.5 L Supercharged HO 250/187

RPM	MPH	KPH	GPH	LPH
2500rpm	5	8	1	4
5000rpm	11	18	4	15
5500rpm	28	45	6	23
6000rpm	33	53	8	30
6500rpm	39	63	9	34
7000rpm	43	69	11	42
7500rpm	47	76	14	53
WOT	53	85	18	68

* Performance and Fuel Flows may vary widely due to Boat Weight, Load, Atmospheric Conditions, Engine Conditions, Weight Distribution, Sea Conditions, Impeller, Boat Bottom Condition, and Operator Technique.

STANDARDS**HULL AND DECK**

Bow and stern eyes, stainless steel
 Cleats, stainless steel
 Fiberglass stringers
 Gel scheme, Standard & HO, choice of Pacific Blue, Jet Black or Laser Red
 Meets applicable USCG & Canadian Regs; NMMA Certified using ABYC Stds.
 Navigation lights, L.E.D.
 Rub rail, plastic w/ stainless steel insert
 Swim platform, aft, extended low-profile
 Swim platform, reboarding ladder, stainless steel

TOW SPORTS

Ski tow, stern

COCKPIT

Armrests port & starboard
 Assist handles
 Beverage holders
 Courtesy lights
 Fiberglass liner, skid-resistant, with stainless steel drains
 Scarab premium upholstery, metallic accent
 Seating - bow cushions, hinged
 Seating - Swim platform lounge seats
 Seating - ComfortRide bench seats
 Ski locker, in-floor, molded fiberglass finish
 Storage, bow & cockpit, beneath seats
 Storage, beneath sundeck
 Walk-thru, stern

HELM

Emergency engine shut-off
 Lighted switches
 Outlet, 12V
 Scarab custom gauge cluster

ENGINE / SYSTEMS

Bilge pump, automatic
 Engine blower
 Weedless shaft guard

TRAILER

Scarab® custom trailer, black
 GatorHyde® finish

OPTIONS**HULL AND DECK**

Graphics, Scarab® beetle
 Swim platform mat(s), soft step

TOW SPORTS

Wakeboard racks
 Wakeboard tower, hinging

COCKPIT

Cruise control
 Depth sounder
 Digital Speed Control Package - SKI, ECO, cruise control and docking modes
 Convenience Package (includes tilt steering & battery switch)

ENGINE / SYSTEMS

Fire extinguisher, fixed (required with CE destination)

ENTERTAINMENT

Stereo system, AM/FM, 2-speakers, MP3 port and Bluetooth® Connectivity

TRAILER

Scarab® custom trailer, black galvanized w/ GatorHyde® finish
 Trailer brakes
 Spare tire & mount
 Aluminum spare tire & mount
 Wheels, aluminum

CANVAS

Sun shade
 Custom trailering cover (black)

STANDARDS**HULL AND DECK**

Bow and stern eyes, stainless steel
 Cleats, pull-up, stainless steel
 Fiberglass stringers
 Gel scheme, Standard & HO, choice of Pacific Blue, Jet Black or Laser Red
 Meets applicable USCG & Canadian Regs;
 NMMA Certified using ABYC Stds.
 Navigation lights, L.E.D.
 Rub rail, plastic w/ stainless steel insert
 Swim platform, aft, extended low-profile
 Swim platform, reboarding ladder,
 stainless steel

TOW SPORTS

Ski tow, stern

COCKPIT

Armrests port & starboard
 Assist handles, stainless steel
 Beverage holders, stainless steel
 Courtesy lights
 Fiberglass liner, skid-resistant, with stainless steel drains
 Scarab premium upholstery,
 metallic accent
 Seating - bow cushions, hinged
 Seating - Swim platform lounge seats
 Seating - ComfortRide bench seats
 Ski locker, in-floor, molded fiberglass finish
 Storage, bow & cockpit, beneath seats
 Storage, beneath sundeck
 Walk-thru, stern

HELM

Depth sounder
 Emergency engine shut-off
 Lighted switches
 Outlet, 12V
 Scarab custom gauge cluster

ENGINE / SYSTEMS

Bilge pump, automatic
 Engine blower
 Weedless shaft guard

ENTERTAINMENT

Stereo system, AM/FM, 2-speakers, MP3 port and Bluetooth® Connectivity

TRAILER

Scarab® custom trailer, black GatorHyde® finish

OPTIONS**HULL AND DECK**

Graphics, Scarab® beetle
 Swim platform mat(s), soft step

TOW SPORTS

Wakeboard racks
 Wakeboard tower, hinging

COCKPIT

Cruise control
 Digital Speed Control Package - SKI, ECO, cruise control and docking modes
 Convenience Package (includes Tilt steering & battery switch)

ENGINE / SYSTEMS

Fire extinguisher, fixed (required with CE destination)

ENTERTAINMENT

Premium Sound System, Sony® stereo, Kicker® amp., subwoofer, transom remote, speaker lights

TRAILER

Scarab® custom trailer, black galvanized w/ GatorHyde® finish
 Trailer brakes
 Spare tire & mount
 Aluminum spare tire & mount
 Wheels, aluminum

CANVAS

Sun Shade
 Custom trailering cover (black)

STANDARDS**HULL AND DECK**

Bow and stern eyes, stainless steel
 Cleats, pull-up, stainless steel
 Fiberglass stringers
 Gel scheme & graphics, Impulse, choice of
 Sunburst Orange, Vivid Green or Laser Red
 Meets applicable USCG & Canadian Regs;
 NMMA Certified using ABYC Stds.
 Navigation lights, L.E.D.
 Rub rail, plastic w/ stainless steel insert
 Swim platform, aft, extended low-profile
 Swim platform, reboarding ladder,
 stainless steel
 Swim platform mat(s), soft step

TOW SPORTS

Ski tow, stern

COCKPIT

Armrests port & starboard
 Assist handles, stainless steel
 Beverage holders, stainless steel
 Courtesy lights
 Fiberglass liner, skid-resistant, with
 stainless steel drains
 Scarab Impulse upholstery, textured accents
 Seating - bow cushions, hinged
 Seating - Swim platform lounge seats
 Seating - ComfortRide bench seats
 Ski locker, in-floor, molded fiberglass finish
 Storage, bow & cockpit, beneath seats
 Storage, beneath sundeck
 Walk-thru, stern

HELM

Cruise control
 Depth sounder
 Emergency engine shut-off
 Lighted switches
 Outlet, 12V
 Scarab custom gauge cluster

ENGINE / SYSTEMS

Bilge pump, automatic
 Engine blower
 Weedless shaft guard

ENTERTAINMENT

Stereo system, AM/FM, 2-speakers, MP3 port
 and Bluetooth® Connectivity

TRAILER

Scarab® custom trailer, black
 GatorHyde® finish

OPTIONS**HULL AND DECK**

Graphics, Scarab® beetle
 Swim platform mat(s), soft step

TOW SPORTS

Wakeboard racks
 Wakeboard tower, hinging w/gas-assist &
 black bimini top (gas assist)

COCKPIT

Cruise control
 Depth sounder
 Digital Speed Control Package - SKI, ECO,
 cruise control and docking modes
 Convenience Package (includes tilt steering
 & battery switch)

ENGINE / SYSTEMS

Fire extinguisher, fixed (required with CE
 destination)

ENTERTAINMENT

Stereo system, AM/FM, 2-speakers, MP3 port
 and Bluetooth® Connectivity

TRAILER

Scarab® custom trailer, black galvanized
 w/ GatorHyde® finish
 Trailer brakes
 Spare tire & mount
 Aluminum spare tire & mount
 Wheels, aluminum

CANVAS

Sun Shade
 Custom trailering cover (black)



SCARAB 195

195, 195 HO, 195 HO IMPULSE

SPECIFICATIONS	US	METRIC
LOA	18'10"	5.74 m
Beam	8'0"	2.44 m
Fuel Capacity	31 gal	117 l
Draft	16"	41 cm
Maximum Capacity	1400 lbs	635 kg
Persons Capacity	8	8
Approx. Dry Weight	2420 lbs	1097 kg
Trailer Weight	834 lbs	378 kg
Deadrise	20	20
Storage Length on trailer	18'10"	5.74 m
Bridge Clearance	3'10"	1.17 m
Bridge Clearance with arch/tower	6'2"	1.88 m
Total Height	5'4"	1.63 m
Total Height on Trailer	6'10"	2.08 m
Height on Trailer w/Wakeboard tower Dn	7'9"	2.36 m
Height on Trailer w/Wakeboard tower Up	9'2"	2.79 m
Impeller	SST	SST
Wake Ballast system (optional)	700 lbs	317kg

RECOMMENDED ENGINE(S)/EQUIPMENT AVG. WEIGHTS

Model Eng.	Type Boat	Eng.	Fuel	Access.	Trail Wt.
ROTAX 250HP	1,990	430	186	80	834
ROTAX 187KV	902	195	84	36	378

PERFORMANCE

Model Eng.	Impeller Dia		Top Speed		Cruise Range	
	IN	MM	MPH	KPH	MI	KM
ROTAX 200/149 1.5L Supercharged	6.26	159	SST 38-41	61-66	85	130
ROTAX 250/187 1.5L Supercharged HO	6.34	161	SST 41-44	66-71	85	130

FUEL FLOW

FUEL FLOW DATA - ROTAX 1.5 L Supercharged 200/149

RPM	MPH	KPH	GPH	LPH
2500rpm	5	8	1	4
5000rpm	8	13	4	15
5500rpm	10	16	5	19
6000rpm	14	23	7	26
6500rpm	25	40	8	30
7000rpm	30	48	10	38
7500rpm	35	56	14	53
WOT	40	64	16	60

FUEL FLOW DATA - ROTAX 1.5 L Supercharged HO 250/187

RPM	MPH	KPH	GPH	LPH
2500rpm	5	8	1	4
5000rpm	9	14	4	15
5500rpm	11	18	6	23
6000rpm	19	31	8	30
6500rpm	27	43	9	34
7000rpm	32	52	11	42
7500rpm	37	60	14	53
WOT	43	69	18	68

* Performance and Fuel Flows may vary widely due to Boat Weight, Load, Atmospheric Conditions, Engine Conditions, Weight Distribution, Sea Conditions, Impeller, Boat Bottom Condition, and Operator Technique.

STANDARDS

HULL AND DECK

Bow and stern eyes, stainless steel
Cleats, stainless steel
Fiberglass stringers
Gel scheme, Standard & HO, choice of Pacific Blue, Jet Black or Laser Red
Horn, stainless steel
Meets applicable USCG & Canadian Regs; NMMA Certified using ABYC Stds.
Navigation lights, L.E.D.
Rub rail, plastic w/ stainless steel insert
Swim platform, aft, extended low-profile
Swim platform, reboarding ladder, stainless steel
Thru-hull fittings, stainless steel
Windshield - auto-inspired design

TOW SPORTS

Ski tow, stern

COCKPIT

Anchor storage, under bow seat
Armrests port & starboard
Assist handles
Beverage holders
Cooler, removable
Courtesy lights
Fiberglass liner, skid-resistant, with stainless steel drains
Glove box, Port console
Scarab premium upholstery, metallic accent
Seating - latching cushions
Seating - stern seats - Scarab exclusive versa lounge
Seating - bucket seats, ComfortRide
Seating -(Scarab exclusive) notched seating area provides ultimate leg room
Ski locker, in-floor, molded fiberglass finish
Storage, bow, behind starboard backrest
Storage, bow & cockpit, beneath seats
Storage, cargo nets port & starboard
Storage, beneath sundeck
Sundeck, aft, converts to cockpit seating or rear-facing lounge
Walk-thru, stern

HELM

Emergency engine shut-off
Lighted switches
Outlet, 12V
Scarab custom gauge cluster
Storage for small electronics
Tilt steering

ENGINE / SYSTEMS

Battery switch
Bilge pump, automatic
Engine blower
Weedless shaft guard

ENTERTAINMENT

Stereo system, AM/FM, 4-speakers, MP3 port and Bluetooth® Connectivity

TRAILER

Scarab® custom trailer, black, painted, brakes w/chrome wheels & swing away tongue
Trailer brakes

OPTIONS

HULL AND DECK

Graphics, Scarab® beetle
Swim platform mat(s), soft step

TOW SPORTS

Wakeboard racks
Wakeboard tower, hinging w/gas-assist & black bimini top (gas assist & Bimini top)

COCKPIT

Cushions, bow fill-in
Flooring, carpet, snap-in
Seating - bucket seats, ComfortRide, dual w/flip-up bolster
Table, cockpit
Walk-thru door

HELM

Cruise control
Depth sounder
Digital Speed Control Package - SKI, ECO, cruise control and docking modes

ENGINE / SYSTEMS

Fire extinguisher, fixed (required with CE destination)

TRAILER

Galvanized trailer w/GatorHyde® and brakes
Spare tire & mount
Aluminum spare tire & mount
Wheels, aluminum

CANVAS

Bimini top (Incl. w/wakeboard tower packages)
Cockpit cover & bow cover
Custom trailering cover (black)

STANDARDS**HULL AND DECK**

Bow and stern eyes, stainless steel
 Cleats, pull-up, stainless steel
 Fiberglass stringers
 Gel scheme, Standard & HO, choice of Pacific Blue, Jet Black or Laser Red
 Horn, stainless steel
 Meets applicable USCG & Canadian Regs; NMMA Certified using ABYC Stds.
 Navigation lights, L.E.D.
 Rub rail, plastic w/ stainless steel insert
 Swim platform, aft, extended low-profile
 Swim platform, reboarding ladder, stainless steel
 Thru-hull fittings, stainless steel
 Windshield - auto-inspired design

TOW SPORTS

Ski tow, stern

COCKPIT

Anchor storage, under bow seat
 Armrests port & starboard
 Assist handles, stainless steel
 Beverage holders, stainless steel
 Cooler, removable
 Courtesy lights
 Fiberglass liner, skid-resistant, with stainless steel drains
 Flooring, carpet, snap-in
 Glove box, Port console
 Scarab premium upholstery, metallic accent
 Seating - latching cushions
 Seating - stern seats - Scarab exclusive
 versa lounge
 Seating - bucket seats, ComfortRide, dual w/ flip-up bolster
 Seating -(Scarab exclusive) notched seating area provides ultimate leg room
 Ski locker, in-floor, molded fiberglass finish
 Storage, bow, behind starboard backrest
 Storage, bow & cockpit, beneath seats
 Storage, cargo nets port & starboard
 Storage, beneath sundeck
 Sundeck, aft, converts to cockpit seating or rear-facing lounge
 Walk-thru, stern

HELM

Depth sounder
 Emergency engine shut-off
 Lighted switches
 Outlet, 12V
 Scarab custom gauge cluster
 Storage for small electronics
 Tilt steering

ENGINE / SYSTEMS

Battery switch
 Bilge pump, automatic
 Engine blower
 Weedless shaft guard

ENTERTAINMENT

Stereo remote at helm
 Stereo system, AM/FM, 4-speakers, MP3 port and Bluetooth® Connectivity

TRAILER

Scarab® custom trailer, black, painted, brakes w/chrome wheels & swing away tongue
 Trailer brakes

CANVAS

Bimini top (Incl. w/wakeboard tower packages)

OPTIONS**HULL AND DECK**

Graphics, Scarab® beetle
 Swim platform mat(s), soft step

TOW SPORTS

Wake Blast System
 Wakeboard racks
 Wakeboard tower, hinging w/gas-assist & black bimini top
 Wakeboard tower speakers, (requires premium sound system)

COCKPIT

Cushions, bow fill-in
 Flooring, custom Scarab smart mat
 Table, cockpit
 Walk-thru door

HELM

Cruise control
 Digital Speed Control Package - SKI, ECO, cruise control and docking modes

ENGINE / SYSTEMS

Fire extinguisher, fixed (required with CE destination)

ENTERTAINMENT

Premium Sound System, Sony® stereo, Kicker® amp., subwoofer, transom remote, speaker lights

TRAILER

Galvanized trailer w/GatorHyde® and brakes
 Spare tire & mount
 Aluminum spare tire & mount
 Wheels, aluminum

CANVAS

Cockpit cover & bow cover
 Custom trailering cover (black)

STANDARDS**HULL AND DECK**

Bow and stern eyes, stainless steel
 Cleats, pull-up, stainless steel
 Fiberglass stringers
 Gel scheme & graphics, Impulse, choice of Sunburst Orange, Vivid Green or Laser Red
 Horn, stainless steel
 Meets applicable USCG & Canadian Regs; NMMA Certified using ABYC Stds.
 Navigation lights, L.E.D.
 Rub rail, plastic w/ stainless steel insert
 Swim platform, aft, extended low-profile
 Swim platform, reboarding ladder, stainless steel
 Swim platform mat(s), soft step
 Thru-hull fittings, stainless steel
 Windshield - auto-inspired design

TOW SPORTS

Ski tow, stern
 Wakeboard tower, hinging w/gas-assist & black bimini top

COCKPIT

Anchor storage, under bow seat
 Armrests port & starboard
 Assist handles, stainless steel
 Beverage holders, stainless steel
 Cooler, removable
 Courtesy lights
 Fiberglass liner, skid-resistant, with stainless steel drains
 Flooring, carpet, snap-in
 Glove box, Port console
 Scarab Impulse upholstery, textured accents
 Seating - latching cushions
 Seating - stern seats - Scarab exclusive
 versa lounge
 Seating - bucket seats, ComfortRide, dual w/flip-up bolster
 Seating -(Scarab exclusive) notched seating area provides ultimate leg room
 Ski locker, in-floor, molded fiberglass finish
 Storage, bow, behind starboard backrest
 Storage, bow & cockpit, beneath seats
 Storage, cargo nets port & starboard
 Storage, beneath sundeck
 Sundeck, aft, converts to cockpit seating or rear-facing lounge
 Walk-thru, stern

HELM

Cruise control
 Depth sounder
 Emergency engine shut-off
 Lighted switches
 Outlet, 12V
 Scarab custom gauge cluster
 Storage for small electronics
 Tilt steering

ENGINE / SYSTEMS

Battery switch
 Bilge pump, automatic
 Engine blower
 Weedless shaft guard

ENTERTAINMENT

Stereo remote at helm
 Stereo system, AM/FM, 4-speakers, MP3 port and Bluetooth® Connectivity

TRAILER

Scarab® custom trailer, black, painted, brakes w/chrome wheels & swing away tongue
 Trailer brakes

CANVAS

Bimini top (Incl. w/wakeboard tower packages)

OPTIONS**TOW SPORTS**

Wake Blast System
 Wakeboard racks
 Wakeboard tower, Delete
 Wakeboard tower speakers, (requires premium sound system)

COCKPIT

Cushions, bow fill-in
 Flooring, Custom Scarab Smart Mat
 Table, cockpit
 Walk-thru door

HELM

Digital Speed Control Package - SKI, ECO, cruise control and docking modes

ENGINE / SYSTEMS

Fire extinguisher, fixed (required with CE destination)

ENTERTAINMENT

Premium Sound System, Sony® stereo, Kicker® amp., subwoofer, transom remote, speaker lights

TRAILER

Galvanized trailer w/GatorHyde® and brakes
 Spare tire & mount
 Aluminum spare tire & mount
 Wheels, aluminum

CANVAS

Cockpit cover & bow cover
 Custom trailering cover (black)



SCARAB 215

215, 215 HO, 215 HO IMPULSE

SPECIFICATIONS	US	METRIC
LOA	21'0"	6.40m
Beam	8'4"	2.54m
Fuel Capacity	41gal	155l
Draft	15"	38cm
Maximum Capacity	1800lbs	816kg
Persons Capacity	10	9CE
Approx. Dry Weight	3250lbs	1470kg
Trailer Weight	1119lbs	508kg
Deadrise	20	20
Storage Length on trailer	21'4"	6.50m
Bridge Clearance	4'3"	1.30m
Bridge Clearance with arch/tower	7'3"	2.21m
Total Height	5'5"	1.65m
Total Height on Trailer	6'9"	2.06m
Height on Trailer w/Wakeboard tower Dn	8'4"	2.54m
Height on Trailer w/Wakeboard tower Up	9'9"	2.97m
Impeller	SST	SST
Wake Ballast system (optional)	1000lbs	453kg

RECOMMENDED ENGINE(S)/EQUIPMENT AVG. WEIGHTS

Model Eng.	Type Boat	Eng.	Fuel	Access.	Trail Wt.
Twin ROTAX 250HP	2,290	840	240	150	1000
Twin ROTAX 187KV	1,400	381	109	68	455

PERFORMANCE

Model Eng.	Impeller Dia		Top Speed		Cruise Range	
	IN	MM	MPH	KPH	MI	KM
Twin RTX 150/111 1.5L Injected	6.10	155	SST 43-46	69-74	140	225
Twin RTX 200/149 1.5L Supercharged	6.26	159	SST 51-54	82-87	115	185
Twin RTX 250/187 1.5L Supercharged HO	6.26	159	SST 55-58	89-93	115	185

FUEL FLOW

FUEL FLOW DATA - Twin ROTAX 1.5 L Injected 150/111

RPM	MPH	KPH	GPH	LPH
2500rpm	5	8	1	4
5000rpm	20	32	5	19
5500rpm	24	39	6	23
6000rpm	29	47	8	30
6500rpm	35	56	12	45
7000rpm	41	66	14	53
WOT	45	72	16	60

FUEL FLOW DATA - Twin ROTAX 1.5 L Supercharged 200/149

RPM	MPH	KPH	GPH	LPH
2500rpm	6	10	2	8
5000rpm	25	40	8	30
5500rpm	30	48	10	38
6000rpm	34	55	13	49
6500rpm	39	62	16	60
7000rpm	44	71	20	76
7500rpm	47	76	27	102
WOT	52	84	32	121

FUEL FLOW DATA - Twin ROTAX 1.5 L Supercharged HO 250/187

RPM	MPH	KPH	GPH	LPH
2500rpm	6	10	2	8
5000rpm	27	43	8	30
5500rpm	33	53	11	42
6000rpm	37	60	14	53
6500rpm	42	68	18	68
7000rpm	47	76	24	91
7500rpm	51	82	30	113
WOT	56	90	36	136

* Performance and Fuel Flows may vary widely due to Boat Weight, Load, Atmospheric Conditions, Engine Conditions, Weight Distribution, Sea Conditions, Impeller, Boat Bottom Condition, and Operator Technique.

STANDARDS

HULL AND DECK

Bow, Anchor Storage
 Bow and stern eyes, stainless steel
 Bow reboarding ladder, stainless steel
 Cleats, stainless steel
 Fiberglass stringers
 Gel scheme, Standard & HO, choice of Pacific Blue, Jet Black or Laser Red
 Horn, stainless steel
 Meets applicable USCG & Canadian Regs; NMMA Certified using ABYC Stds.
 Navigation lights, L.E.D.
 Rub rail, plastic w/ stainless steel insert
 Storage - wet storage swim platform
 Swim platform, aft, extended low-profile
 Swim platform, reboarding ladder, stainless steel
 Thru-hull fittings, stainless steel
 Windshield - auto-inspired design

TOW SPORTS

Ski tow, stern

COCKPIT

Armrests port & starboard
 Assist handles
 Beverage holders
 Cooler, removable
 Courtesy lights
 Fiberglass liner, skid-resistant, w/ stainless steel drains
 Glove box, Port console
 Scarab premium upholstery, metallic accent
 Seating - latching cushions
 Seating - stern seats - Scarab exclusive
 versa lounge
 Seating - bucket seats, ComfortRide
 Seating - (Scarab exclusive) notched seating area provides ultimate leg room
 Ski locker, in-floor, molded fiberglass finish
 Storage, bow, behind starboard backrest
 Storage, bow & cockpit, beneath seats
 Storage, cargo nets port & starboard
 Storage, beneath sundeck
 Sundeck, aft, converts to cockpit seating or rear-facing lounge
 Walk-thru, stern

HELM

Emergency engine shut-off
 Lighted switches
 Outlet, 12V
 Scarab custom gauge cluster
 Storage for small electronics
 Tilt steering

ENGINE / SYSTEMS

Battery switch
 Bilge pump, automatic
 Engine blower
 Weedless shaft guard

ENTERTAINMENT

Stereo system, AM/FM, 4-speakers, MP3 port and Bluetooth® Connectivity

TRAILER

Scarab® custom trailer, black, painted, brakes w/chrome wheels & swing away tongue
 Trailer brakes

OPTIONS

HULL AND DECK

Docking and underwater lights
 Graphics, Scarab® beetle
 Swim platform mat(s), soft step

TOW SPORTS

Wakeboard racks
 Wakeboard tower, hinging w/gas-assist & black bimini top

COCKPIT

Cushions, bow fill-in
 Flooring, carpet, snap-in
 Seating - arena cockpit seating
 Seating - bucket seats, ComfortRide, dual w/flip-up bolster
 Table, cockpit
 Walk-thru door

HELM

Cruise control
 Depth sounder
 Digital Speed Control Package - SKI, ECO, cruise control and docking modes

ENGINE / SYSTEMS

Fire extinguisher, fixed (Required with CE Destination)

TRAILER

Scarab® custom trailer, tandem axle, brakes w/chrome wheels & swing away tongue
 Galvanized trailer w/GatorHyde® and brakes
 Spare tire & mount
 Aluminum spare tire & mount
 Wheels, aluminum

CANVAS

Bimini top (Incl. w/wakeboard tower packages)
 Cockpit cover & bow cover
 Custom trailering cover (black)

STANDARDS**HULL AND DECK**

Bow, anchor storage
 Bow and stern eyes, stainless steel
 Bow reboarding ladder, stainless steel
 Cleats, pull-up, stainless steel
 Fiberglass stringers
 Gel scheme, Standard & HO, choice of Pacific Blue, Jet Black or Laser Red
 Horn, stainless steel
 Meets applicable USCG & Canadian Regs; NMMA Certified using ABYC Stds.
 Navigation lights, L.E.D.
 Rub rail, plastic w/ stainless steel insert
 Storage - wet storage swim platform
 Swim platform, aft, extended low-profile
 Swim platform, reboarding ladder, stainless steel
 Thru-hull fittings, stainless steel
 Windshield - auto-inspired design

TOW SPORTS

Ski tow, stern

COCKPIT

Armrests port & starboard
 Assist handles, stainless steel
 Beverage holders, stainless steel
 Cooler, removable
 Courtesy lights
 Fiberglass liner, skid-resistant, with stainless steel drains
 Flooring, carpet, snap-in
 Glove box, Port console
 Scarab premium upholstery, metallic accent
 Seating - latching cushions
 Seating - stern seats - Scarab exclusive versa lounge
 Seating - bucket seats, ComfortRide, dual w/flip-up bolster
 Seating -(Scarab exclusive) notched seating area provides ultimate leg room
 Ski locker, in-floor, molded fiberglass finish
 Storage, bow, behind starboard backrest
 Storage, bow & cockpit, beneath seats
 Storage, cargo nets port & starboard
 Storage, beneath sundeck
 Sundeck, aft, converts to cockpit seating or rear-facing lounge
 Walk-thru, stern

HELM

Depth sounder
 Emergency engine shut-off
 Lighted switches
 Outlet, 12V
 Scarab custom gauge cluster
 Storage for small electronics
 Tilt steering

ENGINE / SYSTEMS

Battery switch
 Bilge pump, automatic
 Engine blower
 Weedless shaft guard

ENTERTAINMENT

Stereo remote at helm
 Stereo system, AM/FM, 4-speakers, MP3 port and Bluetooth® Connectivity

TRAILER

Scarab® custom trailer, black, painted, brakes w/chrome wheels & swing away tongue
 Trailer brakes

CANVAS

Bimini top (Incl. w/wakeboard tower packages)

OPTIONS**HULL AND DECK**

Docking and underwater lights
 Graphics, Scarab® beetle
 Swim platform mat(s), soft step

TOW SPORTS

Wake Blast System
 Wakeboard racks
 Wakeboard tower, hinging w/gas-assist & black bimini top
 Wakeboard tower speakers, (requires premium sound system)

COCKPIT

Cushions, bow fill-in
 Flooring, custom Scarab smart mat
 Seating - arena cockpit seating
 Table, cockpit
 Walk-thru door

HELM

Cruise control
 Digital Speed Control Package - SKI, ECO, cruise control and docking modes

ENGINE / SYSTEMS

Fire extinguisher, fixed (required with CE destination)

ENTERTAINMENT

Premium sound system, Sony® stereo, Kicker® amp., subwoofer, transom remote, speaker lights

TRAILER

Scarab® custom trailer, tandem axle, brakes w/chrome wheels & swing away tongue
 Galvanized trailer w/GatorHyde® and brakes
 Spare tire & mount
 Aluminum spare tire & mount
 Wheels, aluminum

CANVAS

Cockpit cover & bow cover
 Custom trailering cover (black)

STANDARDS**HULL AND DECK**

Bow, Anchor Storage
 Bow and stern eyes, stainless steel
 Bow reboarding ladder, stainless steel
 Cleats, pull-up, stainless steel
 Fiberglass stringers
 Gel scheme & graphics, Impulse, choice of
 Sunburst Orange, Vivid Green or Laser Red
 Horn, stainless steel
 Meets applicable USCG & Canadian Regs;
 NMMA Certified using ABYC Stds.
 Navigation lights, L.E.D.
 Rub rail, plastic w/ stainless steel insert
 Storage - wet storage swim platform
 Swim platform, aft, extended low-profile
 Swim platform, reboarding ladder,
 stainless steel
 Swim platform mat(s), soft step
 Thru-hull fittings, stainless steel
 Windshield - auto-inspired design

TOW SPORTS

Ski tow, stern
 Wakeboard tower, hinging w/gas-assist &
 black bimini top

COCKPIT

Armrests port & starboard
 Assist handles, stainless steel
 Beverage holders, stainless steel
 Cooler, removable
 Courtesy lights
 Fiberglass liner, skid-resistant, w/stainless
 steel drains
 Flooring, carpet, snap-in
 Glove box, Port console
 Scarab Impulse upholstery, textured accents
 Seating - latching cushions
 Seating - stern seats - Scarab exclusive
 versa lounge
 Seating - bucket seats, ComfortRide, dual
 w/flip-up bolster
 Seating -(Scarab exclusive) notched seating
 area provides ultimate leg room
 Ski locker, in-floor, molded fiberglass finish
 Storage, bow, behind starboard backrest
 Storage, bow & cockpit, beneath seats
 Storage, cargo nets port & starboard
 Storage, beneath sundeck
 Sundeck, aft, converts to cockpit seating or
 rear-facing lounge
 Walk-thru, stern

HELM

Cruise control
 Depth sounder
 Emergency engine shut-off
 Lighted switches
 Outlet, 12V
 Scarab custom gauge cluster
 Storage for small electronics
 Tilt steering

ENGINE / SYSTEMS

Battery switch
 Bilge pump, automatic
 Engine blower
 Weedless shaft guard

ENTERTAINMENT

Stereo remote at helm
 Stereo system, AM/FM, 4-speakers, MP3 port
 and Bluetooth® Connectivity

TRAILER

Scarab® custom trailer, black, painted,
 brakes w/chrome wheels & swing
 away tongue
 Trailer brakes

CANVAS

Bimini top (Incl. w/wakeboard tower
 packages)

OPTIONS**HULL AND DECK**

Docking and underwater lights

TOW SPORTS

Wake Blast System
 Wakeboard racks
 Wakeboard tower, delete
 Wakeboard tower speakers, (requires
 premium sound system)

COCKPIT

Cushions, bow fill-in
 Flooring, custom Scarab smart mat
 Seating - arena cockpit seating
 Table, cockpit
 Walk-thru door

HELM

Digital Speed Control Package - SKI, ECO,
 cruise control and docking modes

ENGINE / SYSTEMS

Fire extinguisher, fixed (Required with CE
 Destination)

ENTERTAINMENT

Premium sound system, Sony® stereo,
 Kicker® amp., subwoofer, transom remote,
 speaker lights

TRAILER

Scarab® custom trailer, tandem axle, brakes
 w/chrome wheels & swing away tongue
 Galvanized trailer w/GatorHyde® and brakes
 Spare tire & mount
 Aluminum spare tire & mount
 Wheels, aluminum

CANVAS

Cockpit cover & bow cover
 Custom trailering cover (black)



A series of horizontal lines for writing notes, spanning the width of the page. There are 20 lines in total, evenly spaced.



SCARAB 255

255, 255 HO, 255 HO IMPULSE

SPECIFICATIONS	US	METRIC
LOA	25' 0"	7.62 m
Beam	8'4"	2.54 m
Fuel Capacity	56 gal	212 L
Draft	15"	38 cm
Maximum Capacity	2100 lbs	953 kg
Persons Capacity	13	12
Approx. Dry Weight	3800 lb	1720 kg
Trailer Weight	1470 lb	667 kg
Deadrise	20	20
Storage Length on trailer	25'3"	7.70 m
Bridge Clearance	4'6"	1.37 m
Bridge Clearance with arch/tower	7'4"	2.23 m
Total Height	5'11"	1.80 m
Total Height on Trailer	7'6"	2.29 m
Height on Trailer w/Wakeboard tower Dn	9'6"	2.90 m
Height on Trailer w/Wakeboard tower Up	10'4"	3.15 m

RECOMMENDED ENGINE(S)/EQUIPMENT AVG. WEIGHTS

Model Eng.	Type Boat	Eng.	Fuel	Access.	Trail Wt.
Twin ROTAX 250HP	3,460	440	340	200	1,470
Twin ROTAX 187KV	1,570	200	150	91	667

PERFORMANCE

Model Eng.	Impeller Dia		Top Speed		Cruise Range	
	IN	MM	MPH	KPH	MI	KM
Twin RTX 150/111 1.5L Injected	6.10	155	SST 44-47	71-76	155	250
Twin RTX 200/149 1.5L Supercharged	6.26	159	SST 50-53	81-85	130	210
Twin RTX 250/187 1.5L Supercharged HO	6.34	161	SST 54-57	87-92	130	210

FUEL FLOW

FUEL FLOW DATA - Twin ROTAX 1.5 L Injected 150/111

RPM	MPH	KPH	GPH	LPH
2500rpm	5	8	1	4
5000rpm	19	31	5	19
5500rpm	23	37	6	23
6000rpm	28	45	8	30
6500rpm	34	55	12	45
7000rpm	40	64	14	53
WOT	44	71	16	60

FUEL FLOW DATA - Twin ROTAX 1.5 L Supercharged 200/149

RPM	MPH	KPH	GPH	LPH
2500rpm	6	10	2	8
5000rpm	25	40	8	30
5500rpm	30	48	10	38
6000rpm	34	55	13	49
6500rpm	39	62	16	60
7000rpm	43	69	20	76
7500rpm	46	74	27	102
WOT	51	82	32	121

FUEL FLOW DATA - Twin ROTAX 1.5 L Supercharged HO 250/187

RPM	MPH	KPH	GPH	LPH
2500rpm	6	10	2	8
5000rpm	27	43	8	30
5500rpm	33	53	11	42
6000rpm	37	60	14	53
6500rpm	41	66	18	68
7000rpm	46	74	24	91
7500rpm	50	81	30	113
WOT	55	89	36	136

* Performance and Fuel Flows may vary widely due to Boat Weight, Load, Atmospheric Conditions, Engine Conditions, Weight Distribution, Sea Conditions, Impeller, Boat Bottom Condition, and Operator Technique.

STANDARDS**HULL AND DECK**

Bow, Anchor Storage
 Bow and stern eyes, stainless steel
 Bow reboarding ladder, stainless steel
 Cleats, pull-up, stainless steel
 Fiberglass stringers
 Gel scheme, Standard & HO, choice of Pacific Blue, Jet Black or Laser Red
 Horn, stainless steel
 Meets applicable USCG & Canadian Regs; NMMA Certified using ABYC Stds.
 Navigation lights, L.E.D.
 Rub rail, plastic w/ stainless steel insert
 Storage - wet storage swim platform
 Swim platform, aft, extended low-profile
 Swim platform, reboarding ladder, stainless steel
 Swim platform mat(s), soft step
 Thru-hull fittings, stainless steel
 Windshield - auto-inspired design

TOW SPORTS

Ski tow, stern

COCKPIT

Armrests port & starboard
 Assist handles, stainless steel
 Beverage holders, stainless steel
 Cooler, built in, bow
 Cooler, removable
 Courtesy lights
 Cushions, bow fill-in
 Fiberglass liner, skid-resistant, with stainless steel drains
 Flooring, carpet, snap-in
 Glove box, Port console
 Scarab premium upholstery, metallic accent
 Seating - Aft seating converts to rear facing
 Seating - bow cushions, hinged
 Seating - convertible U-shaped stern seating
 Seating - bucket seats, ComfortRide, dual w/flip-up bolster
 Seating -(Scarab exclusive) notched seating area provides ultimate leg room
 Ski locker, in-floor, molded fiberglass finish
 Storage, bow & cockpit, beneath seats
 Storage, cargo nets port & starboard
 Storage, beneath versa lounge/motorhood
 Table, cockpit
 Walk-thru, stern

HELM

Cruise control
 Depth sounder
 Emergency engine shut-off
 Lighted switches
 Outlet, 12V
 Scarab custom gauge cluster
 Storage for small electronics
 Tilt steering

HEAD AND SHOWER

Enclosed changing room

ENGINE / SYSTEMS

Battery switch
 Bilge pump, automatic
 Engine blower
 Weedless shaft guard

ENTERTAINMENT

Stereo remote at helm
 Stereo system, AM/FM, 4-speakers, MP3 port and Bluetooth® Connectivity

TRAILER

Scarab® custom trailer, tandem axle, brakes w/chrome wheels & swing away tongue
 Trailer brakes

CANVAS

Bimini top (Incl. w/wakeboard tower packages)

OPTIONS**HULL AND DECK**

Docking and underwater lights
 Graphics, Scarab® beetle

TOW SPORTS

Wakeboard racks
 Wakeboard tower, hinging w/gas-assist & black bimini top

COCKPIT

Platinum Trim, Savannah interior, Cabana mat flooring, Luxury seating, and deck color
 Seating - stern seats - Scarab exclusive versa lounge

HELM

Digital Speed Control Package - SKI, ECO, cruise control and docking modes

HEAD AND SHOWER

Enclosed head w/sink, porta potti & transom shower
 Porta potti w/pumpout

ENGINE / SYSTEMS

Battery, dual switch
 Fire extinguisher, fixed (Required with CE Destination)

TRAILER

Galvanized trailer w/GatorHyde® and brakes
 Spare tire & mount
 Aluminum spare tire & mount
 Wheels, aluminum

CANVAS

Cockpit cover & bow cover
 Custom trailering cover (black)

STANDARDS**HULL AND DECK**

Bow, Anchor Storage
 Bow and stern eyes, stainless steel
 Bow reboarding ladder, stainless steel
 Cleats, pull-up, stainless steel
 Fiberglass stringers
 Gel scheme, Standard & HO, choice of Pacific Blue, Jet Black or Laser Red
 Horn, stainless steel
 Meets applicable USCG & Canadian Regs; NMMA Certified using ABYC Stds.
 Navigation lights, L.E.D.
 Rub rail, plastic w/ stainless steel insert
 Storage - wet storage swim platform
 Swim platform, aft, extended low-profile
 Swim platform, reboarding ladder, stainless steel
 Swim platform mat(s), soft step
 Thru-hull fittings, stainless steel
 Windshield - auto-inspired design

TOW SPORTS

Ski tow, stern

COCKPIT

Armrests port & starboard
 Assist handles, stainless steel
 Beverage holders, stainless steel
 Cooler, built in, bow
 Cooler, removable
 Courtesy lights
 Cushions, bow fill-in
 Fiberglass liner, skid-resistant, with stainless steel drains
 Flooring, carpet, snap-in
 Glove box, Port console
 Scarab premium upholstery, metallic accent
 Seating - Aft seating converts to rear facing
 Seating - bow cushions, hinged
 Seating - convertible U-shaped stern seating
 Seating - bucket seats, ComfortRide, dual w/flip-up bolster
 Seating -(Scarab exclusive) notched seating area provides ultimate leg room
 Ski locker, in-floor, molded fiberglass finish
 Storage, bow & cockpit, beneath seats
 Storage, cargo nets port & starboard
 Storage, beneath versa lounge/motorhood
 Table, cockpit
 Walk-thru, stern

HELM

Cruise control
 Depth sounder
 Emergency engine shut-off
 Lighted switches
 Outlet, 12V
 Scarab custom gauge cluster
 Storage for small electronics
 Tilt steering

HEAD AND SHOWER

Enclosed changing room

ENGINE / SYSTEMS

Battery switch

Bilge pump, automatic
 Engine blower
 Weedless shaft guard

ENTERTAINMENT

Stereo remote at helm
 Stereo system, AM/FM, 4-speakers, MP3 port and Bluetooth® Connectivity

TRAILER

Scarab® custom trailer, tandem axle, brakes w/chrome wheels & swing away tongue
 Trailer brakes

CANVAS

Bimini top (Incl. w/wakeboard tower packages)

OPTIONS**HULL AND DECK**

Docking and underwater lights
 Graphics, Scarab® beetle

TOW SPORTS

Wake Blast System
 Wakeboard racks
 Wakeboard tower, hinging w/gas-assist & black bimini top (Gas assist & Bimini top)
 Wakeboard tower speakers, (requires premium sound system)

COCKPIT

Platinum Trim, Savannah interior, Cabana mat flooring, Luxury seating, and deck color
 Flooring, Custom Scarab Smart Mat
 Seating - stern seats - Scarab exclusive
 versa lounge

HELM

Digital Speed Control Package - SKI, ECO, cruise control and docking modes

HEAD AND SHOWER

Enclosed head w/sink, porta potti & transom shower
 Porta potti w/pumpout

ENGINE / SYSTEMS

Battery, Dual switch
 Fire extinguisher, fixed (Required with CE Destination)

ENTERTAINMENT

Premium Sound System, Sony® stereo, Kicker® amp., subwoofer, transom remote, speaker lights

TRAILER

Galvanized trailer w/GatorHyde® and brakes
 Spare tire & mount
 Aluminum spare tire & mount
 Wheels, aluminum

CANVAS

Cockpit cover & bow cover

STANDARDS**HULL AND DECK**

Bow, Anchor Storage
 Bow and stern eyes, stainless steel
 Bow reboarding ladder, stainless steel
 Cleats, pull-up, stainless steel
 Fiberglass stringers
 Gel scheme & graphics, Impulse, choice of
 Sunburst Orange, Vivid Green or Laser Red
 Horn, stainless steel
 Meets applicable USCG & Canadian Regs;
 NMMA Certified using ABYC Stds.
 Navigation lights, L.E.D.
 Rub rail, plastic w/ stainless steel insert
 Storage - wet storage swim platform
 Swim platform, aft, extended low-profile
 Swim platform, reboarding ladder, stainless
 steel
 Swim platform mat(s), soft step
 Thru-hull fittings, stainless steel
 Windshield - auto-inspired design

TOW SPORTS

Ski tow, stern
 Wakeboard tower, hinging w/gas-assist &
 black bimini top (Gas assist & Bimini top)

COCKPIT

Armrests port & starboard
 Assist handles, stainless steel
 Beverage holders, stainless steel
 Cooler, built in, bow
 Cooler, removable
 Courtesy lights
 Cushions, bow fill-in
 Fiberglass liner, skid-resistant, with
 stainless steel drains
 Flooring, carpet, snap-in
 Glove box, Port console
 Scarab Impulse upholstery, textured accents
 Seating - Aft seating converts to rear facing
 Seating - bow cushions, hinged
 Seating - convertible U-shaped stern seating
 Seating - bucket seats, ComfortRide, dual
 w/flip-up bolster
 Seating -(Scarab exclusive) notched seating
 area provides ultimate leg room
 Ski locker, in-floor, molded fiberglass finish
 Storage, bow & cockpit, beneath seats
 Storage, cargo nets port & starboard
 Storage, beneath versa lounge/motorhood
 Table, cockpit
 Walk-thru, stern

HELM

Cruise control
 Depth sounder
 Emergency engine shut-off
 Lighted switches
 Outlet, 12V
 Scarab custom gauge cluster
 Storage for small electronics
 Tilt steering

HEAD AND SHOWER

Enclosed changing room

ENGINE / SYSTEMS

Battery switch
 Bilge pump, automatic
 Engine blower
 Weedless shaft guard

ENTERTAINMENT

Stereo remote at helm
 Stereo system, AM/FM, 4-speakers, MP3 port
 and Bluetooth® Connectivity

TRAILER

Scarab® custom trailer, tandem axle, brakes
 w/chrome wheels & swing away tongue
 Trailer brakes

CANVAS

Bimini top (Incl. w/wakeboard
 tower packages)

OPTIONS**HULL AND DECK**

Docking and underwater lights

TOW SPORTS

Wake Blast System
 Wakeboard racks
 Wakeboard tower speakers, (requires
 premium sound system)

COCKPIT

Flooring, Custom Scarab Smart Mat
 Seating - stern seats - Scarab exclusive
 versa lounge

HELM

Digital Speed Control Package - SKI, ECO,
 cruise control and docking modes

HEAD AND SHOWER

Enclosed head w/sink, porta potti & transom
 shower
 Porta potti w/pumpout

ENGINE / SYSTEMS

Battery, Dual switch
 Fire extinguisher, fixed (Required with CE
 Destination)

ENTERTAINMENT

Premium Sound System, Sony® stereo,
 Kicker® amp., subwoofer, transom remote,
 speaker lights

TRAILER

Galvanized trailer w/GatorHyde® and brakes
 Spare tire & mount
 Aluminum spare tire & mount
 Wheels, aluminum

CANVAS

Cockpit cover & bow cover

165 TRAILER SPECIFICATIONS

	US	METRIC
Trailer length	16'5"	5.004 M
Boat & trailer length	17'9"	5.41 M
Width	8'4"	2.554 M
Trailer Empty weight w/ spare	617 LBS	279.9 KG
Carrying Capacity	2,083 LBS	944.8 KG
GVWR (Gross Vehical Weight Rating)	2,700 LBS	1,225 KG
GAWR (Gross Axle Weight Rating)	2,700 LBS	1,225 KG
Tire Size / Range (Standard)	ST175/80D13 BIAS	ST175/80D13 BIAS
Tire Pressure (standard)	50 PSI COLD	350 KPA COLD
Tire Capacity (Standard)	1,360 LBS	615 KG
Lug Nut Torque	90-120 FT/LBS	120.6 NM-162.8NM
Axle	SINGLE	SINGLE
Axle Rating (Per Axle)	2700 LBS	1,225 KG
Hub	5 LUG 4.5" PATTERN	5 LUG 11 CM PATTERN
Wheel Type	WHITE	WHITE
Jack Capacity	1,000 LBS	453.6KG
Winch	900 LBS	408.2 KG
Ball Size	2"	5 CM
Ball Towing Height	24"	61 CM

195 TRAILER SPECIFICATIONS

	US	METRIC
Trailer length	20'1"	6.121 M
Trailer length w/ Tongue Folded	17'11"	5.461 M
Boat & trailer length w/ tongue	20'5"	6.223 M
Boat & trailer length w/ Tongue Folded	18'6"	5.461 M
Width	8'4"	2.554 M
Trailer Empty weight w/ spare	834 LBS	378 KG
Carrying Capacity	4166 LBS	1890KG
GWR (Gross Vehical Weight Rating)	5,000 LBS	2,268 KG
GAWR (Gross Axle Weight Rating)	5,000LBS	2.268 KG
Tire Size / Range (Standard)	ST 225/75D15 BIAS	ST 225/75D15 BIAS
Tire Pressure (standard)	65 PSI COLD	450 KPA COLD
Tire Capacity (Standard)	2,540 LBS	1,152 KG
Lug Nut Torque	90-120 FT/LBS	120.6 NM-162.8NM
Axle	SINGLE	SINGLE
Axle Rating (Per Axle)	5,000 LBS	2,268 KG
Hub	6 LUG 5.5" PATTERN	6 LUG 14 CM PATTERN
Wheel Type	CHROME	CHROME
Jack Capacity	1,200 LBS	544 KG
Winch	1,800 LBS	818 KG
Ball Size	2"	5 CM
Ball Towing Height	24"	61 CM

215 SINGLE AXEL TRAILER SPECIFICATIONS

	US	METRIC
Trailer length	22' 6"	6.858 M
Trailer length w/ Tongue Folded	20' 4"	6.198 M
Boat & trailer length w/ tongue	23' 9"	7.239 M
Boat & trailer length w/ Tongue Folded	21' 7"	6.579 M
Width	8' 6"	2.59 M
Trailer Empty weight w/ spare	888 LBS	402.8 KG
Carrying Capacity	4,112 LBS	1,865 KG
GVWR (Gross Vehical Weight Rating)	5,000 LBS	2,268 KG
GAWR (Gross Axle Weight Rating)	5,000LBS	2.268 KG
Tire Size / Range (Standard)	ST 225/75D15 BIAS	ST 225/75D15 BIAS
Tire Pressure (standard)	65 PSI COLD	450 KPA COLD
Tire Capacity (Standard)	2,540 LBS	1,152 KG
Lug Nut Torque	90-120 FT/LBS	120.6 NM-162.8NM
Axle	SINGLE	SINGLE
Axle Rating (Per Axle)	5,000 LBS	2,268 KG
Hub	6 LUG 5.5" PATTERN	6 LUG 14 CM PATTERN
Wheel Type	CHROME	CHROME
Jack Capacity	1,200 LBS	544 KG
Winch	1,800 LBS	818 KG
Ball Size	2"	5 CM
Ball Towing Height	24"	61 CM

215 TANDEM AXEL TRAILER SPECIFICATIONS

	US	METRIC
TRAILER LENGTH	22' 6"	6.858 M
Trailer lenght w/ Tongue Folded	20' 4"	6.198 M
Boat & trailer length w/ tongue	23' 9"	7.239 M
Boat & trailer length w/ Tongue Folded	21' 7"	6.579 M
Width	8' 6"	2.59 M
Trailer Empty weight w/ spare	1119 LBS	507.6 KG
Carrying Capacity	5881 LBS	1,865 KG
GVWR (Gross Vehical Weight Rating)	7,000 LBS	3,175 KG
GAWR (Gross Axle Weight Rating)	7,000 LBS	3,175 KG
Tire Size / Range (Standard)	ST 205/75D14 BIAS	ST 205/75D14 BIAS
Tire Pressure (standard)	50 PSI COLD	350 KPA COLD
Tire Capacity (Standard)	1,760 LBS	798 KG
Lug Nut Torque	90-120 FT/LBS	120.6NM-162.8NM
Axle	TANDEM	TANDEM
Axle Rating (Per Axle)	3,500 LBS	1,588 KG
Hub	5 LUG 4.5" PATTERN	5 LUG 11CM PATTERN
Wheel Type	CHROME	CHROME
Jack Capacity	1,500 LBS	680.4 KG
Winch	1,800 LBS	818 KG
Ball Size	2"	5 CM
Ball Towing Height	21"	53.3 CM

255 TANDEM AXEL TRAILER SPECIFICATIONS

	US	METRIC
Trailer length	26' 8"	8.128 M
Trailer length w/ Tongue Folded	24'	7.315 M
Boat & trailer length w/ tongue	28' 9"	8.763 M
Boat & trailer length w/ Tongue Folded	26' 2"	7.976 M
Width	8' 6"	2.591 M
Trailer Empty weight w/ spare	1285 LBS	582.9 KG
Carrying Capacity	5,715 LBS	2,592 KG
GVWR (Gross Vehical Weight Rating)	7,000 LBS	3,175 KG
GAWR (Gross Axle Weight Rating)	7,000 LBS	3,175 KG
Tire Size / Range (Standard)	ST 205/75D14 BIAS	ST 205/75D14 BIAS
Tire Pressure (standard)	50 PSI COLD	350 KPA COLD
Tire Capacity (Standard)	1,760 LBS	798 KG
Lug Nut Torque	90-120 FT/LBS	1120.6-162.8 NM
Axle	TANDEM	TANDEM
Axle Rating (Per Axle)	3,500 LBS	1,588 KG
Hub	5 LUG 4.5" PATTERN	5 LUG 11CM PATTERN
Wheel Type	CHROME	CHROME
Jack Capacity	1,200 LBS	544 KG
Winch	2,600 LBS	1179 KG
Ball Size	2"	5 CM
Ball Towing Height	21"	53.3 CM

NORTH AMERICAN SCARAB® 2015 LIMITED WARRANTY SCARAB FIBERGLASS BOATS AND TRAILERS

Rec Boat Holdings, LLC dba Scarab ("Scarab") warrants to you, the first North American retail purchaser of this 2015 model year Scarab boat and/or trailer or a second North American retail purchaser as noted below ("you"), that it will repair or replace, at its sole discretion, defects in materials or workmanship that occur and are reported to Scarab, or its factory authorized dealer, within the applicable limited warranty periods, subject to the terms, conditions and exclusions set forth below. Your acceptance of delivery of the warranted Scarab boat and/or trailer constitutes your acceptance of the terms of this limited warranty. This limited warranty gives you specific legal rights and you may have other rights which may vary from state to state.

This limited warranty is the sole and exclusive express warranty from Scarab regarding your 2015 Scarab boat and/or trailer and there are no express warranties which extend beyond those outlined in this limited warranty. There are no implied warranties from Scarab, unless otherwise required under applicable law, and ALL IMPLIED WARRANTIES (INCLUDING ANY IMPLIED WARRANTY OF MERCHANTABILITY OR FITNESS FOR A PARTICULAR PURPOSE) ARE EXCLUDED AND DISCLAIMED WHERE ALLOWED BY APPLICABLE LAW. ANY IMPLIED WARRANTIES (IF APPLICABLE) ARE LIMITED TO THE MINIMUM PERIOD OF TIME ALLOWED UNDER APPLICABLE LAW. Some states do not allow limitations on how long an implied warranty lasts, so the above limitations may not apply to you.

COVERAGE UNDER THIS LIMITED WARRANTY

Trailer Limited Warranty: The limited warranty period runs for one (1) year for defects in trailer components, except as noted below.

Exterior Cosmetic Gel Coat Limited Warranty: The limited warranty period runs for one (1) year for defects in the boat's exterior cosmetic gel coat, including cracking, crazing, discoloring and fading, except as noted below.

Non-Structural Parts And Components Limited Warranty: The limited warranty period runs for one (1) year for defects in the boat's non-structural parts and components, except as noted below.

Osmotic Hull Blister Limited Warranty: The limited warranty period to the first North American retail purchaser runs for five (5) years, except as noted below, for osmotic Hull (defined below) blisters on the boat, which are defined as blisters larger than 1/8" diameter and with a depth of 1/16" or greater, which occur on the boat Hull below the waterline. This limited warranty is not transferable to a second North American retail purchaser.

If the boat is bottom painted or left in water for more than sixty (60) days in any ninety (90) day period, this limited warranty will only apply if a marine barrier coating with proper surface preparation is applied to the boat Hull before it is bottom painted or left in water for more than sixty (60) days in any ninety (90) day period.

In the event of osmotic blistering, Scarab must approve of any repairs, and their method and cost, before the repairs are performed, for this limited warranty to apply. Once any repairs are completed, a marine barrier coating will be applied to the affected Hull surface area(s).

Repairs under this osmotic Hull blister limited warranty are limited to one time. Any repair costs covered under this limited warranty are limited to labor and materials only. They will be paid on a prorated basis, according to the schedule outlined below. The repair costs cannot exceed \$150 (US) per foot of boat length prior to the prorating outlined below

OSMOTIC HULL BLISTERING REPORTED TO SCARAB:	AMOUNT OF REPAIR COSTS PAID:
LESS THAN TWO (2) YEARS FROM DATE OF DELIVERY	100%
TWO (2) TO LESS THAN THREE (3) YEARS FROM DATE OF DELIVERY	75%
THREE (3) TO LESS THAN FOUR (4) YEARS FROM DATE OF DELIVERY	50%
FOUR (4) TO FIVE (5) YEARS FROM DATE OF DELIVERY	25%

Structural Hull Or Deck Limited Warranty: The limited warranty period to the first North American retail purchaser runs for the duration of the first North American retail purchaser's period of ownership for Structural Hull or Deck Defects (defined below), except as noted below. The limited warranty period to the second (if applicable) North American retail purchaser runs for ten (10) years for Structural Hull or Deck Defects, except as noted below. For purposes of this limited warranty, the "Hull" shall mean the single fiberglass molded shell and integral structural within the shell, including stringers, floorboards, transom and related structural reinforcements, all of which are below the Hull flange (i.e. gunwale) and the "Deck" shall mean the single fiberglass molded shell and integral fiberglass structural components above the Hull flange (i.e. gunwale). A "Structural Hull or Deck Defect" shall mean a substantial defect in the boat's Hull or Deck, which causes the boat to be unfit or unsafe for use as a pleasure craft under normal operating conditions.

The applicable limited warranty period, for both the First and Second (if applicable) North American retail purchasers, runs from the date of delivery of the boat and/or trailer to the first North American retail purchaser, provided that the boat and/or trailer is delivered to that purchaser within twelve (12) months from the date of its manufacture. For a boat and/or trailer delivered to that purchaser more than twelve (12) months after the date of its manufacture, the limited warranty period runs from the date of its manufacture, not from the date the boat and/or trailer was delivered to that purchaser. For a boat and/or trailer delivered to that purchaser more than twelve (12) months and up to thirty-six (36) months after its date of manufacture, the selling dealer will be required to submit a condition report on the boat and/or trailer with photos to Scarab before delivery of the boat and/or trailer to that purchaser; Scarab will then determine and advise what limited warranty coverage remains in effect on the boat and/or the trailer, if any. For a boat and/or trailer delivered to that purchaser more than thirty-six (36) months after the date of its manufacture, only the structural limited warranty on the boat will be in effect; all other limited warranties are voided. All limited warranties run concurrently.

Certain portions of this limited warranty, as noted above, extend only to the first North American retail purchaser. Other portions of this limited warranty, as noted above, may be transferred to a second North American retail purchaser, if the transfer occurs within five (5) years of the boat's and/or trailer's sale to the first North American retail purchaser, for a non-refundable recording fee of \$150 (US), for boats less than twenty (20) feet in length, or \$300 (US), for boats twenty (20) feet or more over in length, provided the second North American retail purchaser purchases the boat and/or trailer from the first North American retail purchaser or an authorized Scarab dealer. To transfer the limited warranty, the second North American retail purchaser or the authorized Scarab dealer must send to Scarab, within fifteen (15) days of the boat's

WARRANTY

and/or trailer's purchase, at the address noted below, the: 1) first North American retail purchaser's plastic registration card, if available; 2) proof of the purchase; and 3) the non-refundable recording fee made payable to Rec Boat Holdings, LLC dba Scarab. This limited warranty may only be transferred once. Scarab will confirm all limited warranty transfers, in writing, to the authorized Scarab dealer and/or second North American retail purchaser via email. Scarab reserves the right to reject a limited warranty transfer request for a Scarab boat and/or trailer that has been damaged, neglected or otherwise previously excluded from limited warranty coverage.

THIS LIMITED WARRANTY DOES NOT COVER

1. A boat and/or trailer purchased from any party other than an authorized Scarab dealer or the first North American retail purchaser.
2. A boat and/or trailer, including its components, that has been altered or modified so as to adversely affect its operation, performance or durability, as determined by Scarab, or a boat and/or trailer that has been salvaged, declared a total loss or a constructive total loss for any reason not covered in this limited warranty.
3. Any damage resulting from an accident or impact with another object or any damage caused by an act of nature.
4. Damage, breakage and leakage around windshields, hatches or other designed openings.
5. Boats or trailers that are damaged due to storage or exposure conditions including, but not limited to, sun or cold weather.
6. Engines, power trains, outdrives, jet pumps, controls, propellers, batteries, appliances and other equipment, accessories or components that are not manufactured by Scarab, whether or not they are warranted by other manufacturers. **Note:** it is the purchaser's responsibility to complete any limited warranty registration procedure that may be applicable to these components.
7. Window glass, mirrors, varnish, paint, fabrics and chromium, stainless steel and other metal finishes.
8. Gel coat fading or discoloration that occurs below or at the water line on the Hull.
9. The original gel surface that has been altered in any way, including by repair, application of any coating other than marine barrier coating or marine barrier coating followed by bottom paint, improper surface preparation for paint or improper or excessive sanding, scraping or sandblasting.
10. The cost of removal or re-instatement of parts or disassembly of units to repair or replace components covered by this limited warranty.
11. A boat that has been overpowered, according to the boat's maximum recommended engine horsepower, or overloaded in excess of the maximum limits as stated on the U.S. Coast Guard Capacity Plate.
12. Any boat and/or trailer that has been misused or used in a negligent manner; a boat that has been used for racing, speed or endurance contests; used for rental or charter; used for military, rescue, fire, safety, medical, police, law enforcement, patrol or similar government uses; used for commercial purposes; used without normal maintenance; operated contrary to any instruction furnished by Scarab ; improperly lifted or trailered; improperly secured to a trailer; or operated in violation

of any federal, state, local, Coast Guard or other governmental agency laws, rules or regulations. Also, this limited warranty does not cover any damage to a boat resulting from failure to use a lower unit support device when transporting the boat.

13. Estimated characteristics such as weight, speed, range, fuel consumption or other estimated performance characteristics.
14. Dealer preparation, cleaning, final adjustments and alignments in preparing the boat and/or trailer for delivery.
15. Fit and adjustment of exterior canvas tops, enclosures and weather covers or other soft goods.
16. Sacrificial deterioration of anti-fouling paint or zinc anodes.
17. Damage resulting from electrolysis or corrosion of any nature from any source.
18. Any failure or defect arising from previous repairs made by a non-authorized service provider, unless preapproved by Scarab .
19. Any defect that results in the redesign of the Scarab boat and/or trailer.
20. Trailer tires, paint or Gatorhyde defects caused by fading, peeling, chipping, scratches or rusting attributed to normal use

THE SOLE AND EXCLUSIVE REMEDY UNDER THIS LIMITED WARRANTY AND ANY APPLICABLE IMPLIED WARRANTY IS THE REPAIR OR REPLACEMENT, AT SCARAB'S SOLE OPTION, OF WARRANTED PARTS AND COMPONENTS. SCARAB EXCLUDES AND DISCLAIMS ANY LIABILITY FOR INCIDENTAL OR CONSEQUENTIAL DAMAGES, INCLUDING LOSS OF TIME, INCONVENIENCE, INSTALLMENT PAYMENTS, INSURANCE PAYMENTS, MARINA FEES, RETAIL CHARGES, TRAVEL EXPENSES, LOSS OF USE, HAUL OUT, LAUNCH, TOWING AND/OR STORAGE CHARGES, LOSS OF OR DAMAGE TO PERSONAL PROPERTY OR OTHER SIMILAR COSTS AND EXPENSES OR ANY CLAIM NOT SPECIFICALLY COVERED BY THIS LIMITED WARRANTY. Some states do not allow the exclusion or limitation of incidental or consequential damages, so the above limitation or exclusion may not apply to you. Any legal action alleging breach of any applicable warranty coverage must be brought within one (1) year from the date the alleged breach first occurred or the shortest period allowed under applicable law, whichever is earlier.

PRE-DELIVERY SERVICE AND LIMITED WARRANTY REGISTRATION

Prior to delivering a new Scarab boat and/or trailer to the first North American retail purchaser, the authorized dealer is required to inspect and perform all necessary pre-delivery services including completing the "Pre-Delivery Service Record" portion of the limited warranty. Any cost associated with the pre-delivery inspection is the responsibility of the first North American retail purchaser. After completion of the necessary pre-delivery services, the first North American retail purchaser must sign the Scarab limited warranty registration form and Pre-Delivery Service Record provided by the dealer, where indicated. No limited warranty coverage is applicable to the boat and/or trailer unless these forms are completed, signed and returned to Scarab at the address indicated below, or via an authorized Scarab dealer's online dealer extranet. All information received by Scarab via the limited warranty registration or transfer process shall be the property of Scarab, and submission of information, directly or indirectly, via the limited warranty registration process shall, to the extent permitted by applicable law, be deemed to constitute consent by the purchaser and dealer to Scarab's use of such information at any time for all purposes allowed by law, including use of that information by third parties selected by Scarab. You may opt to not have your personal

WARRANTY

information disclosed to third parties and/or to not receive marketing materials from Scarab by sending a written request to: Scarab Warranty Department, 925 Frisbie Street, Cadillac, MI 49601.

OBTAINING REPAIRS UNDER THIS LIMITED WARRANTY

The authorized Scarab dealer will carry out the limited warranty procedures on your behalf. All limited warranty work must be performed at an authorized dealer or a sublet repair facility chosen by an authorized dealer, at the Scarab factory, or at another repair facility approved by Scarab. You are responsible for the expense associated with transporting the boat and/or trailer to and from the repair facility. Scarab must receive written notice of all limited warranty claims prior to the expiration of this limited warranty and be allowed an opportunity to resolve them.

To obtain limited warranty service, you must return the boat and/or trailer, including any alleged defective part, to an authorized Scarab dealer and present the Owner's Registration Card. If necessary, you should call Scarab for assistance to locate the nearest Scarab dealer in your area. The following procedures will apply to a limited warranty claim:

- A. The dealer will contact and receive an authorization number from Scarab for repairs.
- B. Upon completion of repairs, you must pay the dealer for non-covered items.
- C. You assume all liability for payment of non-authorized repairs.
- D. You must sign the Scarab limited warranty claim form if the claim is not submitted through the Scarab extranet by the dealer.

If sublet limited warranty repairs are required for any reason, the authorized Scarab dealer will be responsible for choosing a qualified and reputable repair facility and the authorized **Scarab Dealer will be responsible for all work performed by the sublet repair facility. Before referring any work to a sublet repair facility, the authorized Scarab dealer must submit a written estimate to Scarab's claims department to obtain written pre-authorization (including a claim authorization number).** Scarab will not honor or pay for claims submitted for repairs by sublet repair facilities unless this procedure has been followed. Scarab will not authorize or pay for sublet repairs initiated because of a lack of dealer service facilities.

This document contains the entire limited warranty provided by Scarab. Any questions concerning the scope of this limited warranty should be directed to Scarab. The terms and conditions contained in this limited warranty may not be modified, altered, or waived by any action, inaction or representation, whether oral or in writing, except upon the express, written authority of a senior management level employee of Scarab. Scarab does not authorize any person or persons (except a senior management level employee of Scarab), including Scarab dealers, to change the terms of this limited warranty. (Note that your authorized Scarab dealer is an independent business, authorized to sell and service Scarab products, but is not an agent of Scarab). Scarab reserves the right to change or improve the design or manufacture of Scarab boats and/or trailers without obligation to modify any boat and/or trailer previously manufactured.

Scarab
925 Frisbie Street
Cadillac, MI 49601
Telephone: (231) 775 -1351

INTERNATIONAL SCARAB® 2015 LIMITED WARRANTY SCARAB FIBERGLASS BOATS

Rec Boat Holdings, LLC dba Scarab (“Scarab”) warrants to you, the first North American retail purchaser of this 2015 model year Scarab boat and/or trailer or a second North American retail purchaser as noted below (“you”), that it will repair or replace, at its sole discretion, defects in materials or workmanship that occur and are reported to Scarab, or its factory authorized dealer, within the applicable limited warranty periods, subject to the terms, conditions and exclusions set forth below. Your acceptance of delivery of the warranted Scarab boat and/or trailer constitutes your acceptance of the terms of this limited warranty. This limited warranty gives you specific legal rights and you may have other rights which may vary from state to state.

This limited warranty is the sole and exclusive express warranty from Scarab regarding your 2015 Scarab boat, and there are no express warranties which extend beyond those outlined in this limited warranty. There are no implied warranties from Scarab, unless otherwise required under applicable law, and ALL IMPLIED WARRANTIES (INCLUDING ANY IMPLIED WARRANTY OF MERCHANTABILITY OR FITNESS FOR A PARTICULAR PURPOSE) ARE EXCLUDED AND DISCLAIMED WHERE ALLOWED BY APPLICABLE LAW. ANY IMPLIED WARRANTIES (IF APPLICABLE) ARE LIMITED TO THE MINIMUM PERIOD OF TIME ALLOWED UNDER APPLICABLE LAW. Retail purchasers in the European Union (EU) may have legal rights under applicable national legislation and the Consumers Protective Directive 1999/44/EC of the European Parliament and of the Council of 25 May 1999, governing the sale of consumer goods, which are not affected by this limited warranty. Retail purchasers in other countries may also have legal rights which are not affected by this limited warranty.

Coverage Under This Limited Warranty:

Exterior Cosmetic Gel Coat Limited Warranty: The limited warranty period runs for one (1) year for defects in the exterior cosmetic gel coat, including cracking, crazing, discoloring and fading, except as noted below.

Non-Structural Parts And Components Limited Warranty: The limited warranty period runs for one (1) year for defects in non-structural parts and components, except as noted below.

Osmotic Hull Blister Limited Warranty: The limited warranty period to the first International retail purchaser runs for five (5) years, except as noted below, for osmotic Hull (defined below) blisters on the boat, which are defined as blisters larger than 1/8” diameter and with a depth of 1/16” or greater, which occur on the boat Hull below the waterline. This limited warranty is not transferable to a second International retail purchaser.

If the boat is bottom painted or left in water for more than sixty (60) days in any ninety (90) day period, this limited warranty will only apply if a marine barrier coating with proper surface preparation is applied to the boat Hull before it is bottom painted or left in water for more than sixty (60) days in any ninety (90) day period.

In the event of osmotic blistering, Scarab must approve of any repairs, and their method and cost, before the repairs are performed, for this limited warranty to apply. Once any repairs are completed, a marine barrier coating will be applied to the affected Hull surface area(s).

WARRANTY

Repairs under this osmotic Hull limited warranty are limited to one time. Any repair costs covered under this limited warranty are limited to labor and materials only. They will be paid on a prorated basis, according to the schedule outlined below. The repair costs cannot exceed \$150 (US) per foot of boat length prior to the prorating outlined below:

OSMOTIC HULL BLISTERING REPORTED TO SCARAB:	AMOUNT OF REPAIR COSTS PAID:
LESS THAN TWO (2) YEARS FROM DATE OF DELIVERY	100%
TWO (2) TO LESS THAN THREE (3) YEARS FROM DATE OF DELIVERY	75%
THREE (3) TO LESS THAN FOUR (4) YEARS FROM DATE OF DELIVERY	50%
FOUR (4) TO FIVE (5) YEARS FROM DATE OF DELIVERY	25%

Structural Hull or Deck Limited Warranty: The limited warranty period to the first International retail purchaser runs for the duration of the first International retail purchaser's period of ownership for Structural Hull or Deck Defects (defined below), except as noted below. The limited warranty period to the second (if applicable) International retail purchaser runs for ten (10) years for Structural Hull or Deck Defects, except as noted below. For purposes of this limited warranty, the "Hull" shall mean the single fiberglass molded shell and integral structural within the shell, including stringers, floorboards, transom and related structural reinforcements, all of which are below the Hull flange (i.e. gunwale) and the "Deck" shall mean the single fiberglass molded shell and integral fiberglass structural components above the Hull flange (i.e. gunwale). A "Structural Hull or Deck Defect" shall mean a substantial defect in the boat's Hull or Deck, which causes the boat to be unfit or unsafe for use as a pleasure craft under normal operating conditions.

The applicable limited warranty period for both the first and second International retail purchaser runs from the date of delivery of the boat to the first International retail purchaser, provided that the boat is delivered to that purchaser within twelve (12) months from the date of its manufacture. For a boat delivered to that purchaser more than twelve (12) months after the date of its manufacture, the limited warranty period runs from the date of its manufacture, not from the date the boat was delivered to that purchaser. For a boat delivered to that purchaser more than twelve (12) months and up to thirty-six (36) months after its date of manufacture, the selling dealer will be required to submit a condition report on the boat with photos to Scarab before delivery of the boat to the first International retail purchaser; Scarab will then determine and advise what limited warranty coverage remains in effect on the boat, if any. For a boat delivered to that purchaser more than thirty-six (36) months after the date of its manufacture, only the structural limited warranty on the boat will be in effect; all other limited warranties are voided. All limited warranties run concurrently.

Certain portions of this limited warranty, as noted above, extend only to the first International retail purchaser. Other portions of this limited warranty, as noted above, may be transferred to a second International retail purchaser, if the transfer occurs within five (5) years of the boat's sale to the first International retail purchaser, for a non-refundable recording fee of \$150 (US), for boats less than twenty (20) feet in length, or \$300 (US), for boats twenty (20) feet or more in length, provided the second International retail purchaser purchases the boat from the first International retail purchaser or an authorized Scarab dealer. To transfer the limited warranty, the second International retail purchaser or the authorized Scarab dealer must send to Scarab, within fifteen (15) days of the boat's purchase, at the address noted below, the: 1) first International retail purchaser's plastic registration card, if available; 2) proof of the purchase; and 3) the non-refundable recording fee made payable to Rec Boat Holdings,

LLC dba Scarab. This limited warranty may only be transferred once. Scarab will confirm all limited warranty transfers, in writing, to the authorized Scarab dealer and/or second International retail purchaser via email. Scarab reserves the right to reject a limited warranty transfer request for a Scarab boat that has been damaged, neglected or otherwise previously excluded from limited warranty coverage.

THIS LIMITED WARRANTY DOES NOT COVER

1. A boat purchased from any party other than an authorized Scarab dealer or the first International retail purchaser.
2. A boat, including its components, that has been altered or modified so as to adversely affect its operation, performance or durability, as determined by Scarab, or a boat that has been salvaged, declared a total loss or a constructive total loss for any reason not covered in this limited warranty.
3. Any damage resulting from an accident or impact with another object or any damage caused by an act of nature.
4. Damage, breakage and leakage around windshields, hatches or other designed openings.
5. Boats that are damaged due to storage or exposure conditions including, but not limited to, sun or cold weather.
6. Engines, power trains, outdrives, jet pumps, controls, propellers, batteries, appliances and other equipment, accessories or components that are not manufactured by Scarab, whether or not they are warranted by other manufacturers. Note: it is the purchaser's responsibility to complete any limited warranty registration procedure that may be applicable to these components.
7. Window glass, mirrors, varnish, paint, fabrics and chromium, stainless steel and other metal finishes.
8. Gel coat fading or discoloration that occurs below or at the water line on the Hull.
9. The original gel surface that has been altered in any way, including by repair, application of any coating other than marine barrier coating or marine barrier coating followed by bottom paint, improper surface preparation for paint or improper or excessive sanding, scraping or sandblasting.
10. The cost of removal or re-instatement of parts or disassembly of units to repair or replace components covered by this limited warranty.
11. A boat that has been overpowered, according to the boat's maximum recommended engine horsepower, or overloaded in excess of the maximum limits as stated on the Capacity Plate (if applicable).
12. Any boat that has been misused or used in a negligent manner; that has been used for racing, speed or endurance contests; used for rental or charter; used for military, rescue, fire, safety, medical, police, law enforcement, patrol or similar government uses; used for commercial purposes; used without normal maintenance; operated contrary to any instruction furnished by Scarab; improperly lifted or trailered; improperly secured to a trailer; or operated in violation of any federal, state, local, or other governmental agency laws, rules or regulations. Also, this limited warranty does not cover any damage to a boat resulting from failure to use a lower unit support device when transporting the boat.

WARRANTY

13. Estimated characteristics such as weight, speed, range, fuel consumption or other estimated performance characteristics.
14. Dealer preparation, cleaning, final adjustments and alignments in preparing the boat for delivery.
15. Fit and adjustment of exterior canvas tops, enclosures and weather covers or other soft goods.
16. Sacrificial deterioration of anti-fouling paint or zinc anodes.
17. Damage resulting from electrolysis or corrosion of any nature from any source.
18. Any failure or defect arising from previous repairs made by a non-authorized service provider, unless preapproved by Scarab.
19. Any defect that results in the redesign of the Scarab boat.
20. Trailers.

THE SOLE AND EXCLUSIVE REMEDY UNDER THIS LIMITED WARRANTY AND ANY APPLICABLE IMPLIED WARRANTY IS THE REPAIR OR REPLACEMENT, AT SCARAB'S SOLE OPTION, OF WARRANTED PARTS AND COMPONENTS. SCARAB EXCLUDES AND DISCLAIMS ANY LIABILITY FOR INCIDENTAL OR CONSEQUENTIAL DAMAGES, INCLUDING LOSS OF TIME, INCONVENIENCE, INSTALLMENT PAYMENTS, INSURANCE PAYMENTS, MARINA FEES, RETAIL CHARGES, TRAVEL EXPENSES, LOSS OF USE, HAUL OUT, LAUNCH, TOWING AND/OR STORAGE CHARGES, LOSS OF OR DAMAGE TO PERSONAL PROPERTY OR OTHER SIMILAR COSTS AND EXPENSES OR ANY CLAIM NOT SPECIFICALLY COVERED BY THIS LIMITED WARRANTY. Any legal action alleging breach of any applicable warranty coverage must be brought within one (1) year from the date the alleged breach first occurred or the shortest period of time allowed under applicable law. Any claim by a retail purchaser in the EU that the boat was nonconforming at the time of delivery must be made within two (2) years from the date of delivery.

PRE-DELIVERY SERVICE AND LIMITED WARRANTY REGISTRATION

Prior to delivering a new Scarab boat to the first International retail purchaser, the authorized dealer is required to inspect and perform all necessary pre-delivery services including completing the "Pre-Delivery Service Record" portion of the limited warranty. Any cost associated with the pre-delivery inspection is the responsibility of the first International retail purchaser. After completion of the necessary pre-delivery services, the first International retail purchaser must sign the Scarab limited warranty registration form and Pre-Delivery Service Record provided by the dealer, where indicated. No limited warranty coverage is applicable to the boat unless these forms are completed, signed and returned to Scarab at the address indicated below, or via an authorized Scarab dealer's online dealer extranet. All information received by Scarab via the limited warranty registration or transfer process shall be the property of Scarab, and submission of information, directly or indirectly, via the limited warranty registration process shall, to the extent permitted by applicable law, be deemed to constitute consent by the purchaser and dealer to Scarab's use of such information at any time for all purposes allowed by law, including use of that information by third parties selected by Scarab. You may opt to not have your personal information disclosed to third parties and/or to not receive marketing materials from Scarab by sending a written request to: Scarab Warranty Department, 925 Frisbie Street, Cadillac, MI 49601.

OBTAINING REPAIRS UNDER THIS LIMITED WARRANTY

The authorized Scarab dealer will carry out the limited warranty procedures on your behalf. All limited warranty work must be performed at an authorized dealer or a sublet repair facility chosen by an authorized dealer, at the Scarab factory, or at another repair facility approved by Scarab. You are responsible for the expense associated with transporting the boat to and from the repair facility. Scarab must receive written notice of all limited warranty claims prior to the expiration of this limited warranty and be allowed an opportunity to resolve them.

To obtain limited warranty service, you must return the boat, including any alleged defective part, to an authorized Scarab dealer and present the Owner's Registration Card. If necessary, you should call Scarab for assistance to locate the nearest Scarab dealer in your area. The following procedures will apply to a warranty claim

- A. The dealer will contact and receive an authorization number from Scarab for repairs.
- B. Upon completion of repairs, you must pay the dealer for non-covered items.
- C. You assume all liability for payment of non-authorized repairs.
- D. You must sign the Scarab limited warranty claim form if the claim is not submitted through the Scarab extranet by the dealer.

If sublet limited warranty repairs are required for any reason, the authorized Scarab dealer will be responsible for choosing a qualified and reputable repair facility and the authorized **Scarab Dealer will be responsible for all work performed by the sublet repair facility. Before referring any work to a sublet repair facility, the authorized Scarab dealer must submit a written estimate to Scarab's claims department to obtain written pre-authorization (including a claim authorization number).** Scarab will not honor or pay for claims submitted for repairs by sublet repair facilities unless this procedure has been followed. Scarab will not authorize or pay for sublet repairs initiated because of a lack of dealer service facilities.

This document contains the entire limited warranty provided by Scarab. Any questions concerning the scope of this limited warranty should be directed to Scarab. The terms and conditions contained in this limited warranty may not be modified, altered, or waived by any action, inaction or representation, whether oral or in writing, except upon the express, written authority of a senior management level employee of Scarab. Scarab does not authorize any person or persons (except a senior management level employee of Scarab), including Scarab dealers, to change the terms of this limited warranty. (Note that your authorized Scarab dealer is an independent business, authorized to sell and service Scarab products, but is not an agent of Scarab). Scarab reserves the right to change or improve the design or manufacture of Scarab boats and/or trailers without obligation to modify any boat and/or trailer previously manufactured.

Scarab
925 Frisbie Street
Cadillac, MI 49601
Telephone: (231) 775-1351



925 FRISBIE STREET • CADILLAC, MI 49601
231-775-1351

www.scarabjetboats.com